

Offer no. NA190000

Position: 1 / 2



Customer / Project name

Tailor-made Air Ducting&Diffusers

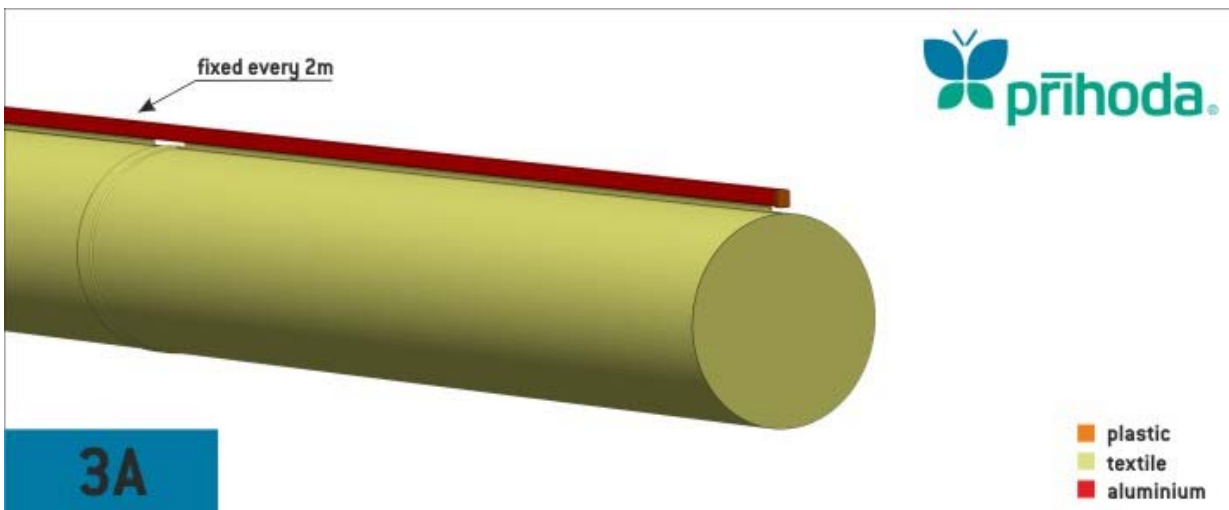
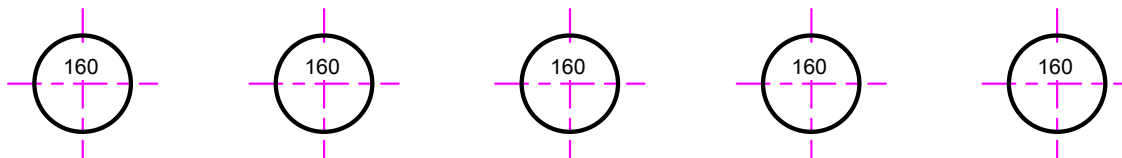
Number of pieces : 1

Shape Circular, Number of diameters 5, Size 160-160-160-160-160 mm, Total length 1716 mm (278+255+650+255+278), First end Blanking, Second end Blanking, 2pcs Zip 160, 2pcs Zip 160, Airflow 750 m3/h (0+0+0+0+0), Available pressure 150 Pa, Friction press.loss = 120,3 Pa, 1 Arch 160/R1108 90°/4, Zip, Zip, 1 Arch 160/R1108 90°/4, Zip, Zip, Number of airflow inlets 1, 1 Adapter Circular 160, Beginning, Number of airflow outlets 2, 1 Adapter Circular 160, Beginning, 1 Adapter Circular 160, Beginning

Fabric NMS - 100% polyester, Endless fibres (multifilament), Weight 225 g/m², Thickness 0.31 mm, Permeability 0 m³/h/m² by 120 Pa, strength (warp/weft) 1810/1090 N (EN ISO 13934-1:1999), Fire resistance - B-s1, d0 according to EN 13501-1+A1: 2010, Temperature resistance -30 a +110°C, Washing shrinkage (warp/weft) 0,5/0,5 % by 40°C according to EN ISO 6330-2000, Suitable for cleanrooms - class No. 4 (EN ISO 14644-1), Washable in washing-machine, Colour Black



List of mounting material:
1pcs 2000mm Aluminium profile, 3pcs Circular 160 mm Stainless steel strip



Price for 1 pc : USD

Total price for pos. 1 : USD

Weight : 5 kg

Offer no. NA190000

Position: 2 / 2



Customer / Project name

Tailor-made Air Ducting&Diffusers

Number of pieces : 2

Shape Circular, Number of diameters 7, Size 125-125-125-160-125-125 mm, Total length 1410 mm (330+75+120+50+260+50+120+75+330), First end Blanking, Second end Blanking, 2pcs Zip 125, 2pcs Zip 125, 2pcs Zip 125, 2pcs Zip 125, Airflow 375 m3/h (94+21+34+74+34+21+94), Available pressure 125 Pa, Friction press.loss = 36,6 Pa, 1 Arch 125/R1402 75°/3, Zip, Zip, 1 Arch 125/R862 45°/2, Zip, Zip, 1 Arch 125/R862 45°/2, Zip, Zip, 1 Arch 125/R1402 75°/3, Zip, Zip, Number of airflow inlets 1, 1 Adapter Circular 160, Beginning

Fabric NMS - 100% polyester, Endless fibres (multifilament), Weight 225 g/m², Thickness 0.31 mm, Permeability 0 m³/h/m² by 120 Pa, strength (warp/weft) 1810/1090 N (EN ISO 13934-1:1999), Fire resistance - B-s1, d0 according to EN 13501-1+A1: 2010, Temperature resistance -30 a +110°C, Washing shrinkage (warp/weft) 0,5/0,5 % by 40°C according to EN ISO 6330-2000, Suitable for cleanrooms - class No. 4 (EN ISO 14644-1), Washable in washing-machine, Colour Black

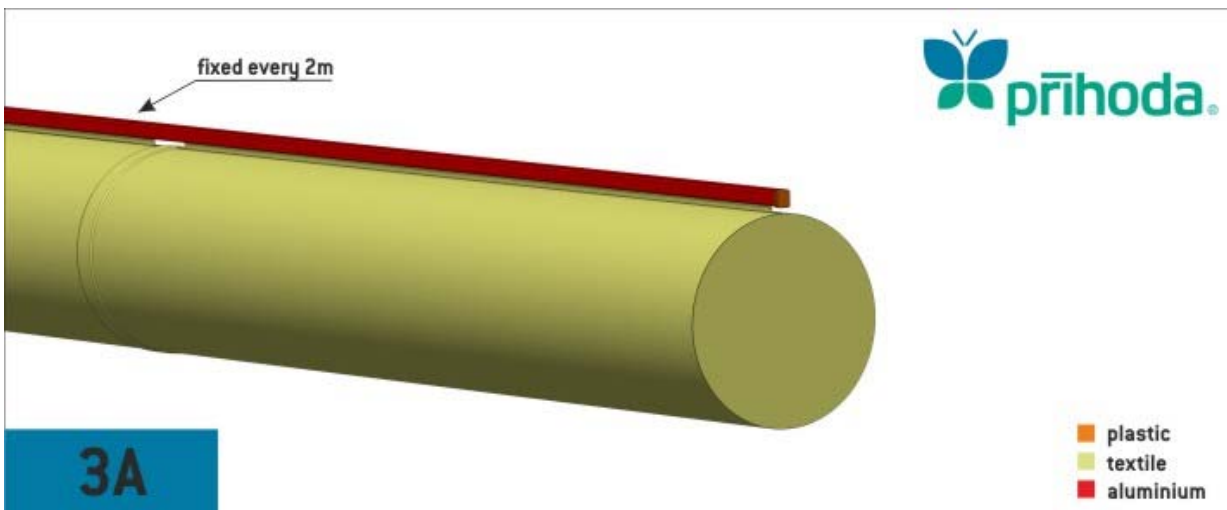
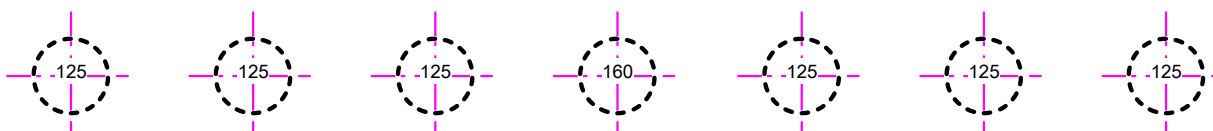


List of mounting material:

1pcs 2000mm Aluminium profile, 1pcs Circular 160 mm Stainless steel strip

Microperforation

- S1 330mm, 94m3/h, Uniform
- S2 75mm, 21m3/h, Uniform
- S3 120mm, 34m3/h, Uniform
- S4 260mm, 74m3/h, Uniform
- S5 120mm, 34m3/h, Uniform
- S6 75mm, 21m3/h, Uniform
- S7 330mm, 94m3/h, Uniform



Price for 1 pc : USD

Total price for pos. 2 : USD

Weight : 11 kg

Offer no. NA190000

Summary



Customer / Project name

Tailor-made Air Ducting&Diffusers

Position

1 - C160/1716 BB/NMS-3A/BC + 1 IN(1xC160F) + 2 OUT(2xC160F) + 2x . . .

2 - C125/1410 BB/NMS-3A/BC + 1 IN(1xC160F) + 2x125/R1402 Arch-75 . . .

pcs.-weight/profiles-price 1pc./all

1pcs 4 kg / 1 kg

2pcs 10 kg / 2 kg

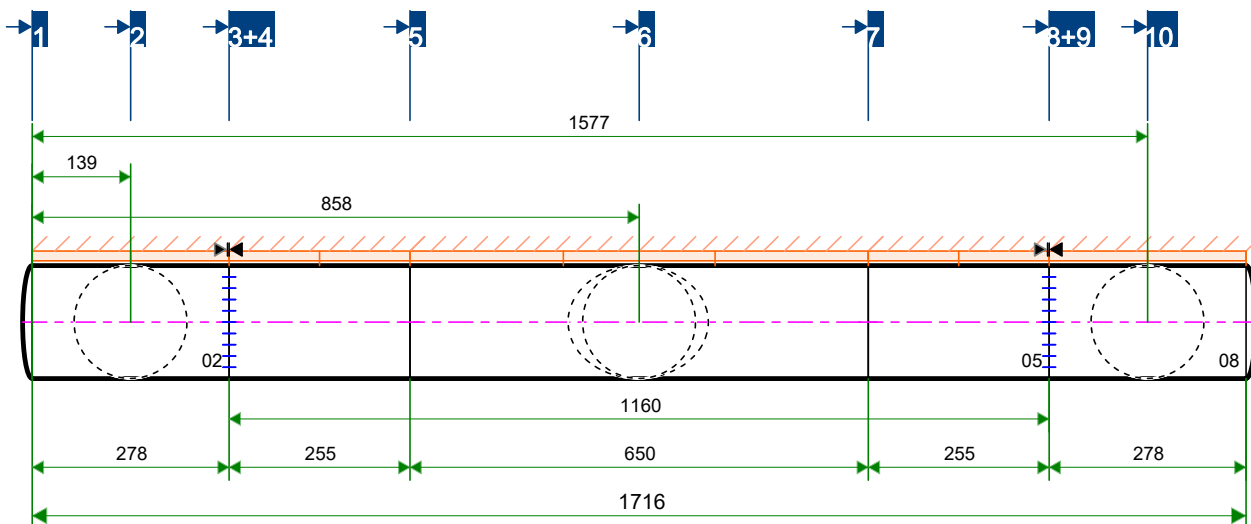
Total price for pos. 1 - 2 :

USD

Weight : 14 kg

Position 1 - 1pcs ... 1 - C160/1716 BB/NMS-3A/BC + 1 IN(1xC160F) + 2 OUT(2xC160F) + 2x160/R1108 Arch-90°/4 ZZ

Note: Output extensions length 120mm!



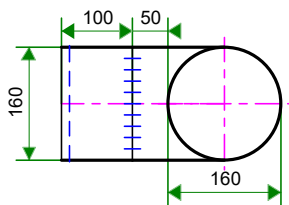
<p>1</p>	<p>2</p> <p>C160F/270° - 50 OUT 375m³/h 5,18m/s</p>	<p>3</p> <p>90° (2x30° + 2x15°) Direction 90°</p>
<p>4</p>	<p>5</p>	<p>6</p> <p>C160F/270° - 70 IN 750m³/h 10,36m/s 150Pa</p>
<p>7</p>	<p>8</p> <p>90° (2x30° + 2x15°) Direction 90°</p>	<p>9</p>

The numbers of parts from the drawing are printed on the labels at zips.

Dimensions in (mm)

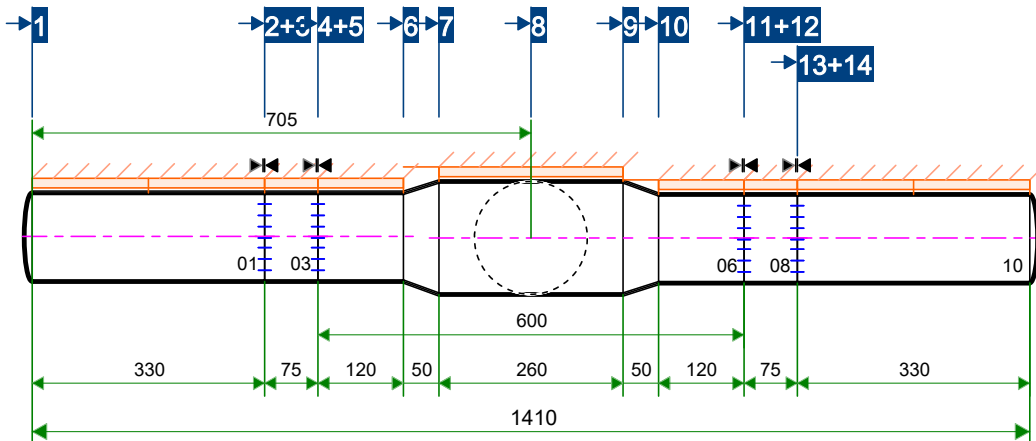
DRAWING N.	VERSION	PAGE	DATE	DRAW	NO SCALE	 +420469311856
Č. VÝKRESU	VERZE	LIST	DATUM	KRESLIL	BEZ	
NA190000	1	1/3	16.8.2019	Přihoda	MĚŘÍTKA	

10



C160F/270° - 50
OUT 375m3/h 5,18m/s


Position 2 - 2pcs ... 2 - C125/1410 BB/NMS-3A/BC + 1 IN(1xC160F) + 2x125/R1402 Arch-75°/3 ZZ + 2x125/R862 Arch-45°/2 ZZ

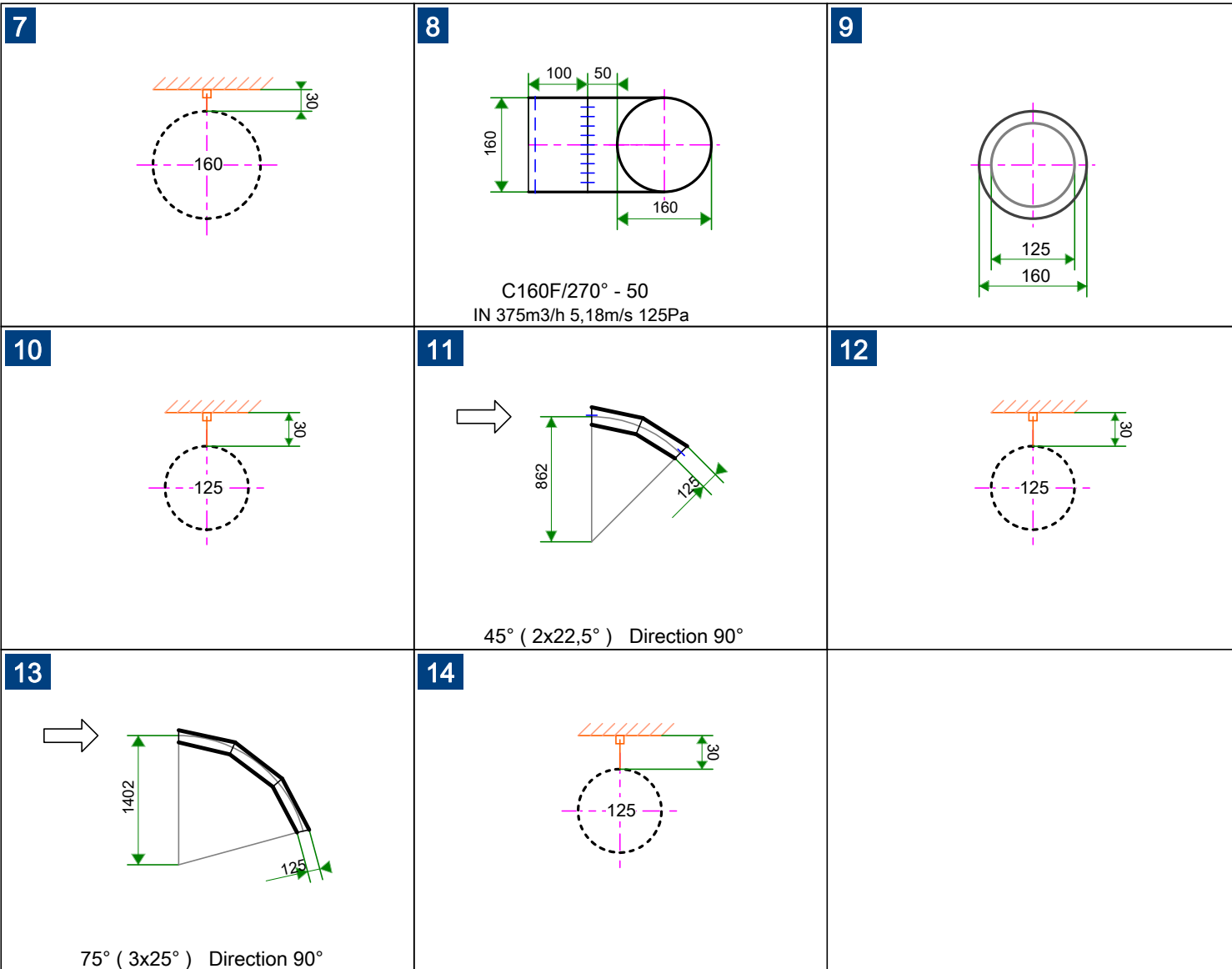


<p>1</p>	<p>2</p> <p>75° (3x25°) Direction 90°</p>	<p>3</p>
<p>4</p> <p>45° (2x22,5°) Direction 90°</p>	<p>5</p>	<p>6</p>

The numbers of parts from the drawing are printed on the labels at zips.


Dimensions in (mm)

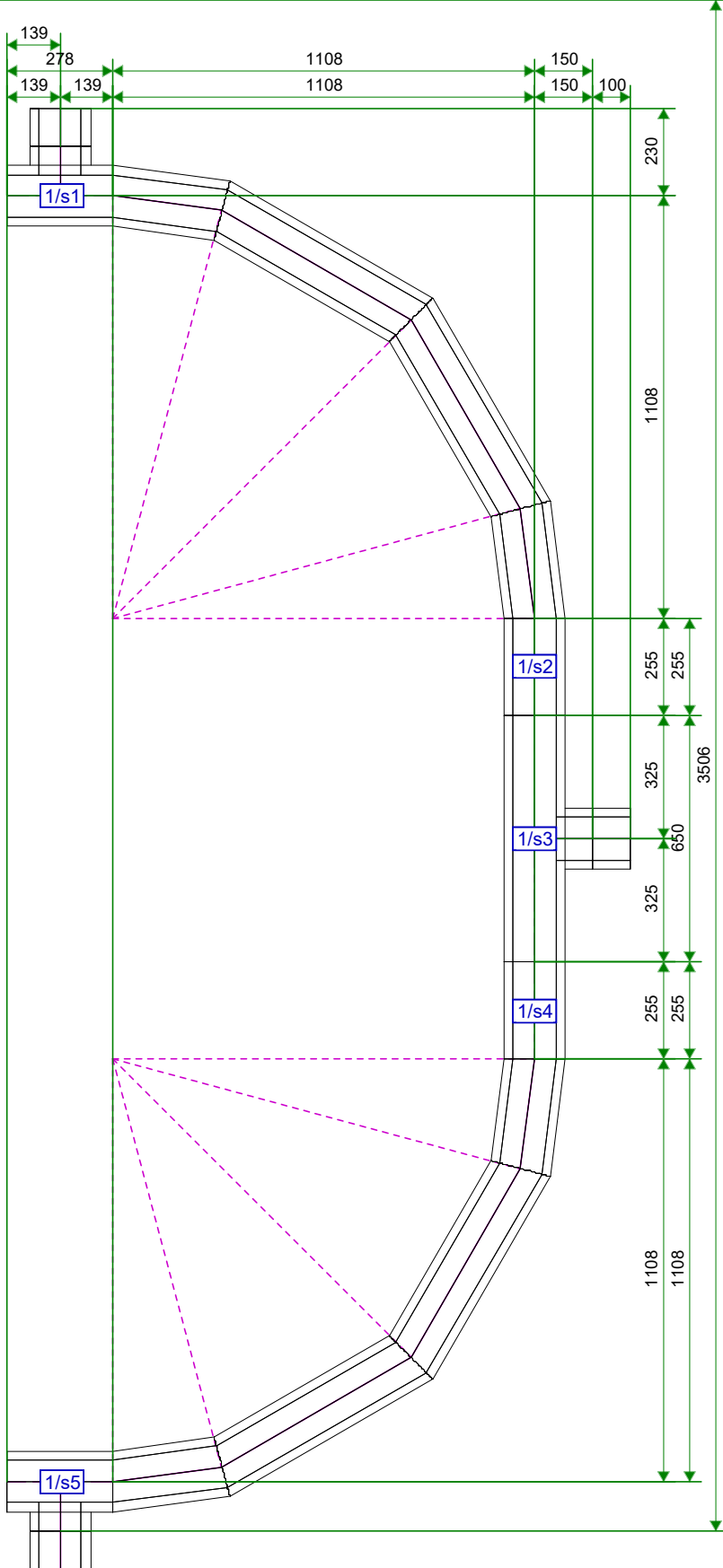
DRAWING N.	VERSION	PAGE	DATE	DRAW	NO SCALE	 +420469311856
Č. VÝKRESU	VERZE	LIST	DATUM	KRESLIL	BEZ	
NA190000	1	2/3	16.8.2019	Přihoda	MĚŘÍTKA	



The numbers of parts from the drawing are printed on the labels at zips.


Dimensions in (mm)

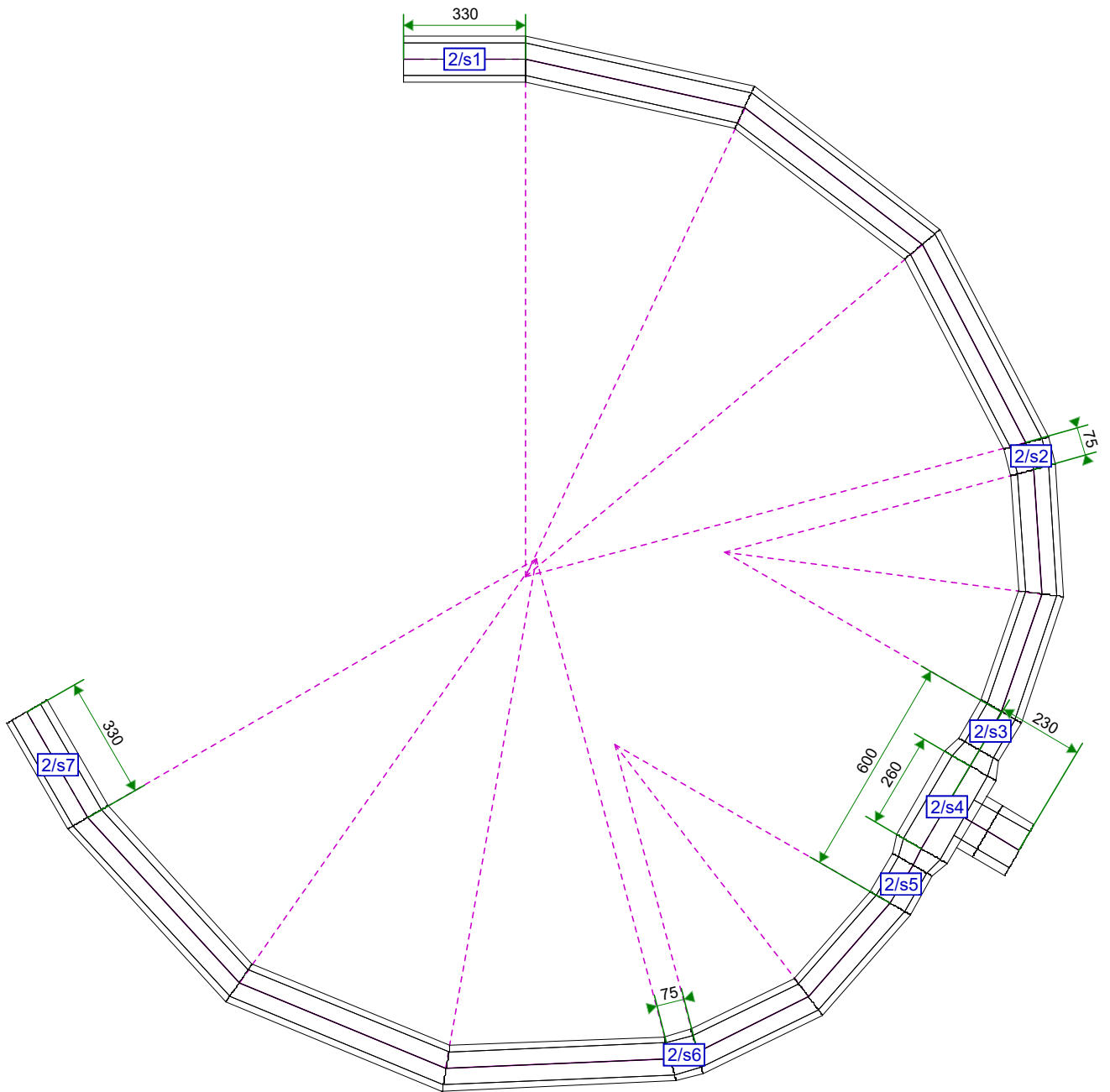
DRAWING N.	VERSION	PAGE	DATE	DRAW	NO SCALE	 +420469311856
Č. VÝKRESU	VERZE	LIST	DATUM	KRESLIL	BEZ	
NA190000	1	3/3	16.8.2019	Přihoda	MĚŘÍTKA	



The view is from 0° angle (0° = Top view, 90° or 270° = Side view)


Aspect ratio (Size : Length) 1 : 1

DRAWING N.	VERSION	POSITION	DATE	DRAW	NO SCALE	 +420469311856
Č. VÝKRESU	VERZE	POZICE	DATUM	KRESLIL	BEZ	
NA190000	1	1	16.8.2019	Přihoda	MĚŘÍTKA	



The view is from 0° angle (0° = Top view, 90° or 270° = Side view)

Aspect ratio (Size : Length) 1 : 1

DRAWING N.	VERSION	POSITION	DATE	DRAW	NO SCALE	 +420469311856
Č. VÝKRESU	VERZE	POZICE	DATUM	KRESLIL	BEZ	
NA190000	1	2	16.8.2019	Přihoda	MĚŘÍTKA	